

76050001 BOW HANDLE
 71220001 METAL PADEYE
 8030071 SCREW

811519 BOW DECAL DARK LEFT
 8115191 BOW DECAL DARK RIGHT
 811520 BOW DECAL LITE LEFT
 8115201 BOW DECAL LITE RIGHT

72542 DOME DECAL

81450001 HOBIE CHEEK BLOCK

72020119 HATCH LID GASKET, OUTBACK 2019
 720201191 TEMPLATE, HATCH LID GASKET OUT
 71301001 HATCH SEAL HULL SIDE 5'

84501541 CAM CLEAT KIT
 8004531 CONTROL LINE
 814011 HANDLE CAP RUDDER
 81418 HANDLE CAP TRANSDUCER

84560001 MAST RECIEVER COVER
 8031151 SCREW

71230001 ROD HOLDER COVER
 8031131 SCREW

777015 H-TRACK DLX, RAIL

SEE MIRAGE PAGE FOR DETAILS

STANDING PAD LEFT
 777024 LEFT
 777022 CAMO LEFT

777018 VERTICAL RECT. HATCH
 STANDING PAD RIGHT
 777023 RIGHT
 777021 CAMO RIGHT

88991061 SIDE CARRY HANDLE

777014 OB V2 STEERING HANDLE

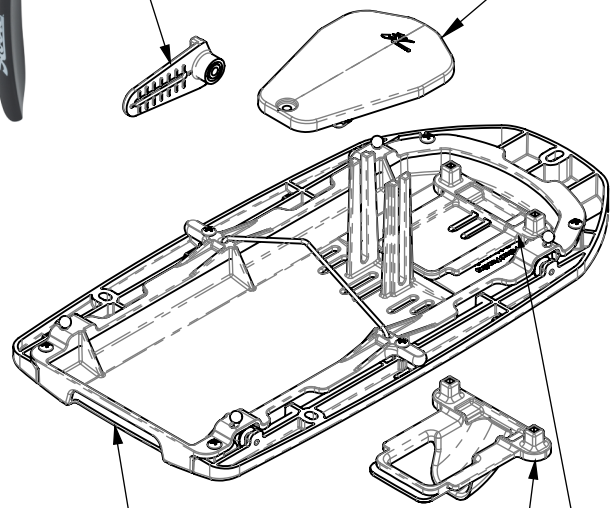
84507825 VANTAGE CTW SEAT
 8032089 PIVOT SCREW
 777007 CTW BOTTOM SKIN
 865092 CT SEATBACK SKIN

777026 H-TRACK DLX, BUNGEE

777006 ADAPTER ARM, GUARDIAN
 777019 SCUPPER COVER PLATE

71280 KEEL STRIP

777013 OUTBACK RUDDER DRUM
 81701004 PLATE RUDDER BEARING
 81701002 RUDDER HOUSING
 81701000 RUDDER BLADE
 845040 RUDDER TORSION SPRING



846110 TUBE REAR HANDLE OB2
 8031781 SCREW SOC CAP
 84504401 HANDLE END FITTING

777005 SIDE SCAN PLATE
 777001 GUARDIAN PLATE ASSY
 777002 COVER PLATE, GUARDIAN