

HOBIE SUPPORT / ONLINE SUPPORT - FAQs - FORUMS

For technical help, contact your dealer, see the Hobie website support area or visit our Hobie user forums.

Our on-line support area and forums include FAQs with many technical and user topics.

Hobie Cat Company HOBIE.COM / Hobie Australasia HOBIE.COM.au / Hobie Kayak Europe hobie-kayak.com



SCAN TO GO TO
HOBIE SUPPORT PAGES

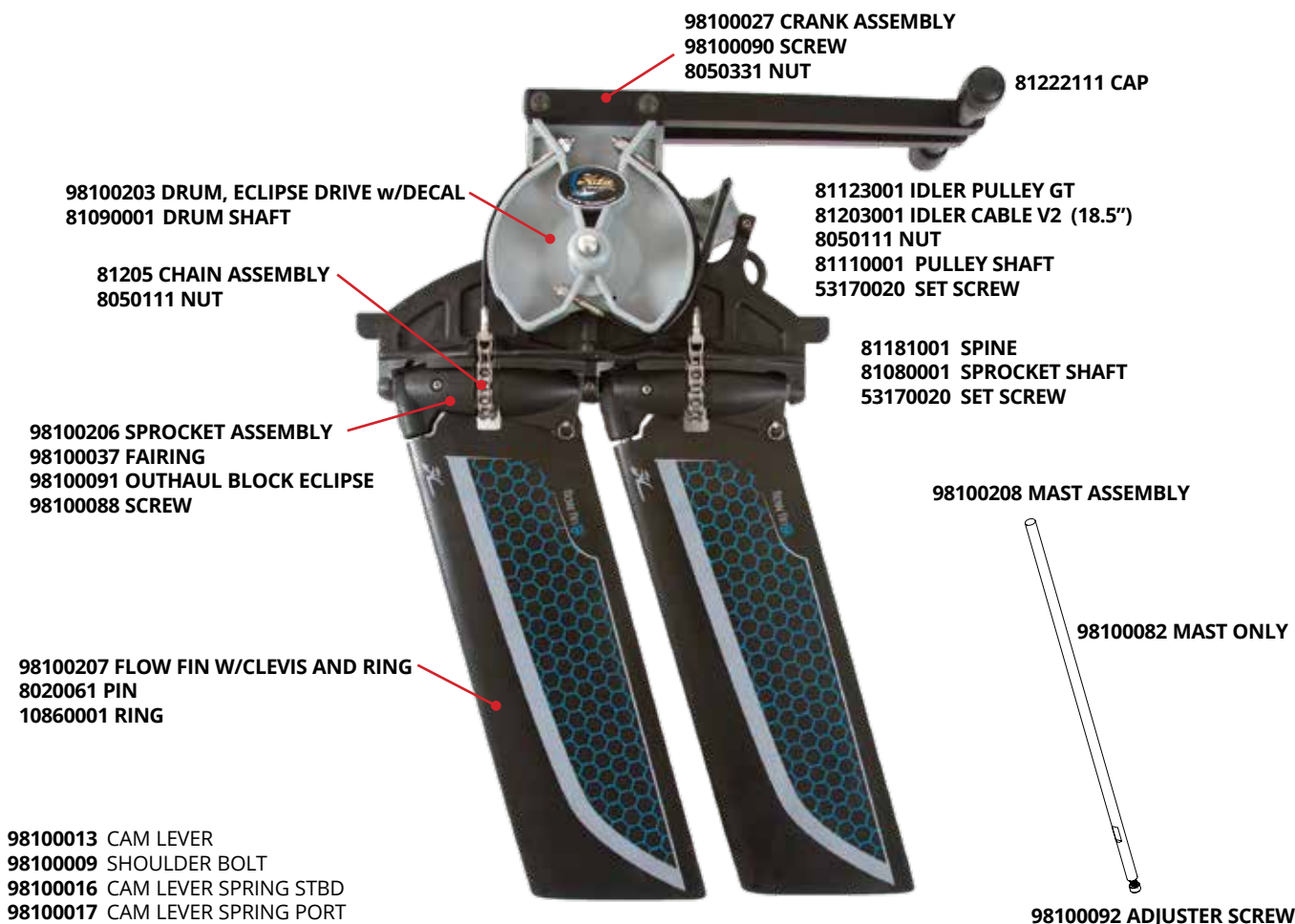
**ONLINE SUPPORT AREA HAS PARTS
DIAGRAMS, MANUALS AND RELATED
INSTRUCTIONS FOR ALL CURRENT
AND DISCONTINUED MODELS**

**ONLINE PARTS SEARCH TOOL WILL
WORK WITH A PART NUMBER,
PARTIAL NUMBER OR TEXT TO FIND
WHAT YOU ARE LOOKING FOR.
RESULTS INCLUDE ALL RELATED
ITEMS, DESCRIPTIONS AND AN IMAGE**



SCAN TO GO TO
HOBIE PARTS LOOKUP

98100010 HOBIE ECLIPSE MIRAGEDRIVE



98100039 DURA GRIP/CABLE
REPL KIT - PAIR



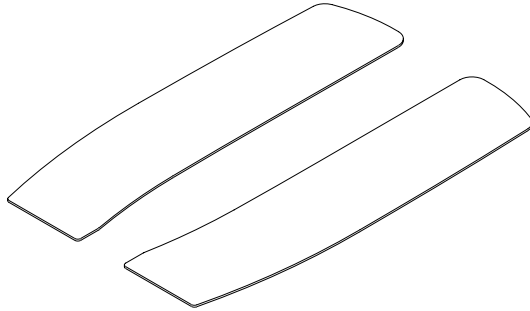
98100042 CALIPER HANDLE

98100040 HANDLE / HOUSING

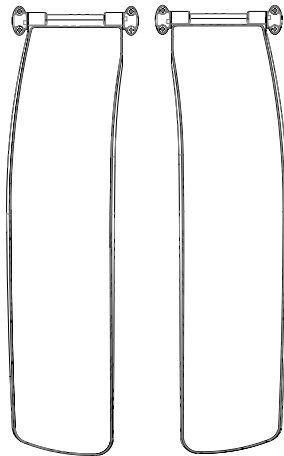


98100045 CALIPER SPRING

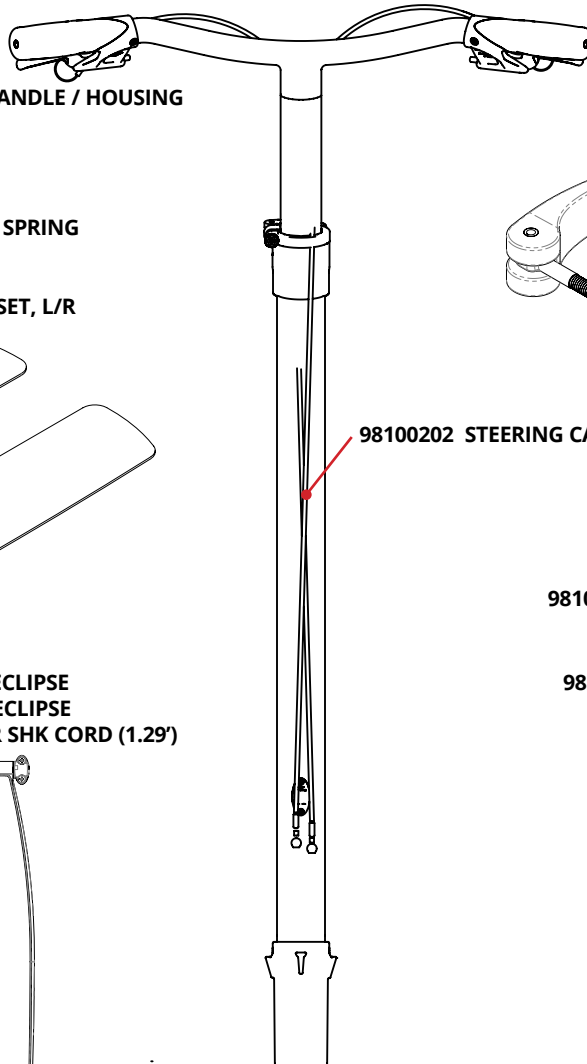
98100209 PEDAL PAD SET, L/R



98100213 PEDAL ASSY (L) ECLIPSE
98100212 PEDAL ASSY (R) ECLIPSE
RS316BLK PEDAL RETAINER SHK CORD (1.29')

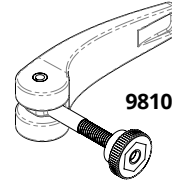


98100020 HANDLEBAR ASSEMBLY
98100021 HANDLEBAR ASSY DURA



98100214 PAD, HANDLEBAR 10.5
98100216 DECK PAD ECLIPSE 10.5 SET
98100215 PAD, HANDLEBAR 12.0
98100217 DECK PAD ECLIPSE 12.0 SET

RS316BLK CARGO SHOCK CORD
8.33' 12.0 ECLIPSE
6.45' 10.5 ECLIPSE



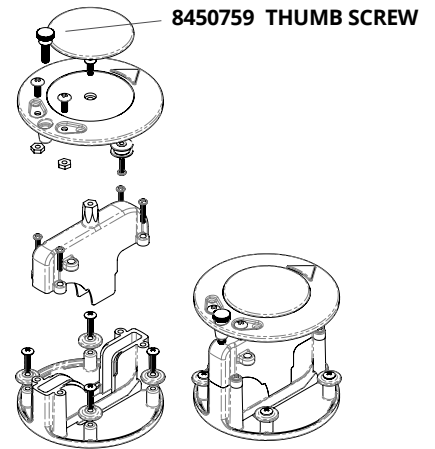
98100204 HANDLE, QR ASSEMBLY

98100202 STEERING CABLE SET (L/R)

IN THE BOARD

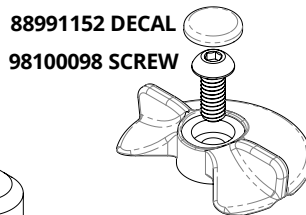
98100210 CONTROL LINE w/KNOT COVER

98100200 RUDDER HOUSING ASSEMBLY



8450759 THUMB SCREW

98100205 CAM LOCK ASSEMBLY

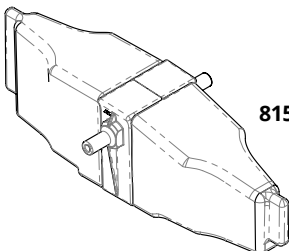
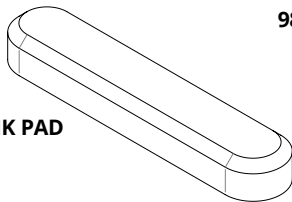


88991152 DECAL
98100098 SCREW

98100063 LOCK

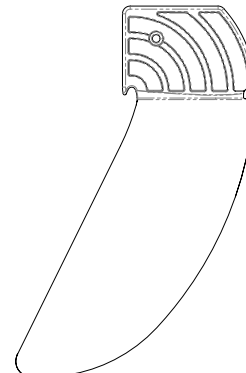
98100211 BUNGEE ASSY ECLIPSE RUDDER WELL

98100057 CRANK PAD



81538 CASSETTE PLUG - ECLIPSE

98100031 RUDDER - ECLIPSE



98100002 REAR HANDLE - ECLIPSE
98100003 SCREW
8080561 WASHER

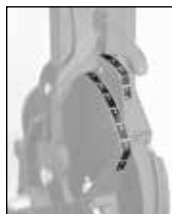
**HOBBIE MIRAGEDRIVE
"GLIDE TECHNOLOGY"**

- 80010501 MIRAGE DRIVE GT - ST FINS
- 80013501 MIRAGE DRIVE GTi - ST FINS iSeries
- 80012501 MIRAGE DRIVE GTT - ST TURBO FINS
- 80012101 MIRAGE DRIVE GTT PA17 - ST TURBO FINS

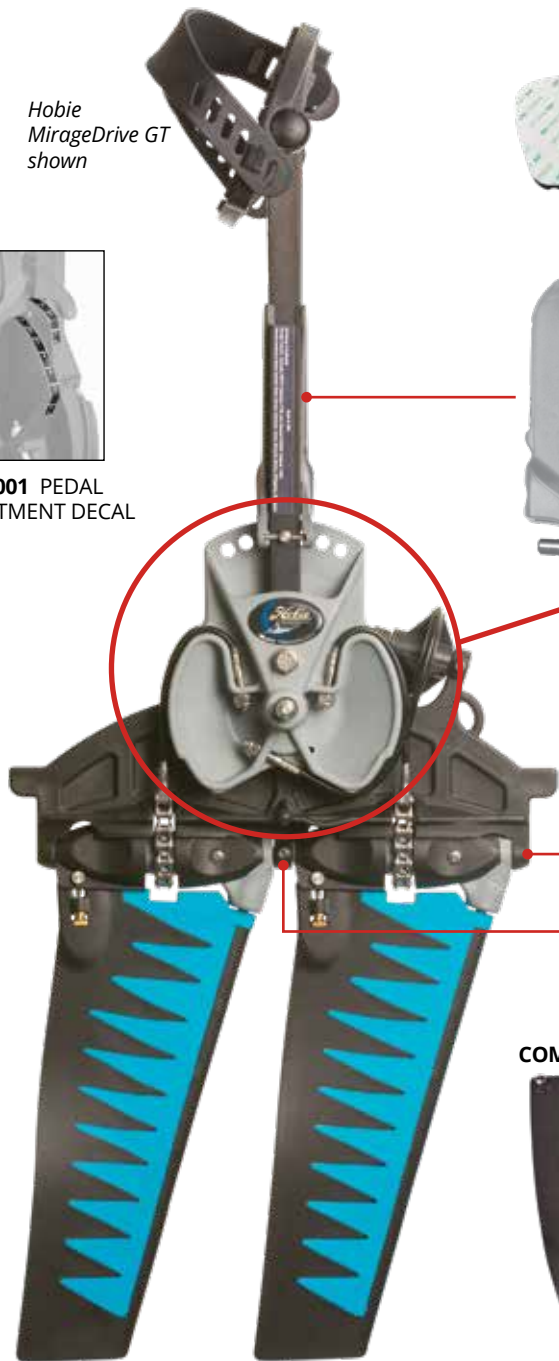
TECH TIP!

WHAT MAKES A GT DRIVE? V2 Drums, V2 Chains, GT Idler Pulley, V2 Idler Cable, GT sprockets and V2 (Threaded) masts

Hobie
MirageDrive GT
shown



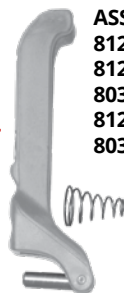
81172001 PEDAL
ADJUSTMENT DECAL



72020034 PEDAL PAD KIT

**81236002 PEDAL ADJ GRAY
ASSY INCLUDES:**

- 81240 PLASTIC HANDLE GRAY
- 81230001 PIN
- 8031201 SCREW
- 81242001 SPRING
- 8034071 ALLEN WRENCH



- 81224001 PEDAL/CRANK ASSY. GRY (R)
- 81223001 PEDAL/CRANK ASSY. GRY (L)
- 81222011 PEDAL ONLY (R)
- 81221011 PEDAL ONLY (L)
- 81226001 PEDAL STRAP (R)
- 81227001 PEDAL STRAP (L)
- 81222101 CAP - PEDAL CRANK
- 81222111 CAP - PEDAL
- 8050111 NUT
- 8080541 WASHER

81181001 SPINE
NEW 2013

81080001 SPROCKET SHAFT

53170020 SET SCREW



81055001 SPROCKET GUARD FWD
8031451 SCREW



81050001 OUTHAUL BLOCK
8020041 CLEVIS PIN
10860001 LOCK RING

81127001 SPROCKET GT THREADED (W/ BEARINGS
AND FWD GUARD)
81156301 SPROCKET BEARINGS (12)

81163001 MAST V2 THREADED
81198101 MAST / ST TURBO V2 THREADED
8000341 LOC-TITE .5ML

COMFORT FIN ST FIN ST TURBO FIN



81190001 81193001
(GRY/BLK)

81193021 81192001
(RED/BLK) (GRY/BLK)

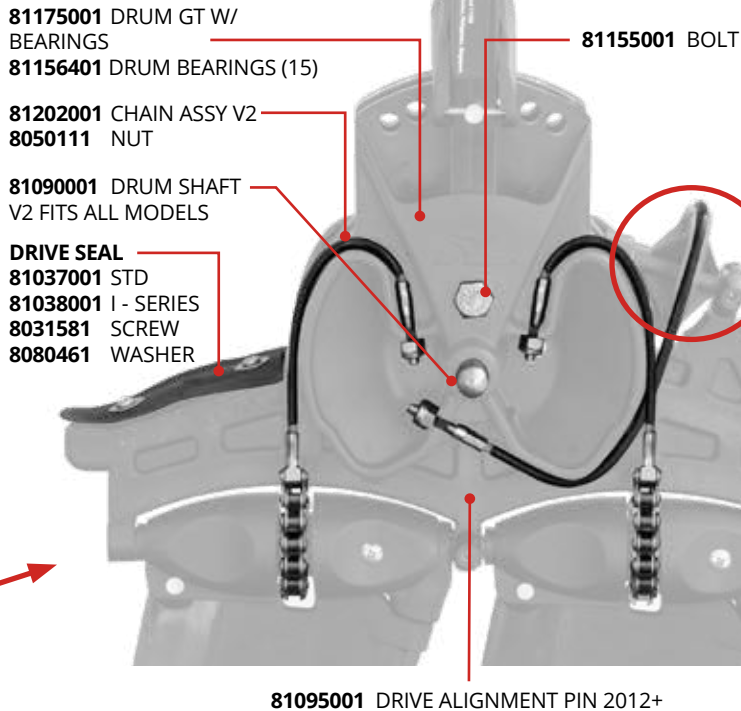
81193031 81192021
(BLU/BLK) (RED/BLK)

81192031
(BLU/BLK)

UPDATE KIT - GT SPROCKET
(2 GT SPROCKETS AND 2 V2 MASTS)
81129023 GT STANDARD MAST KIT
81129123 GTT TURBO MAST KIT

UPDATE KIT - V1 DRUMS/CABLES TO GT
(2 GT DRUMS, V2 CHAINS, GT IDLER
PULLEY, V2 IDLER CABLE AND NUTS)
81171002 DRUM UPDATE KIT V1 TO GT





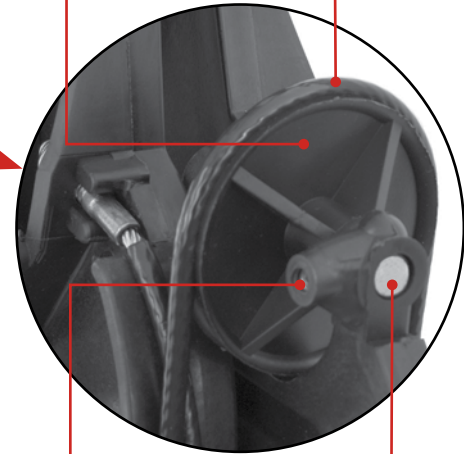
- 81175001 DRUM GT W/ BEARINGS
- 81156401 DRUM BEARINGS (15)
- 81202001 CHAIN ASSY V2
- 8050111 NUT
- 81090001 DRUM SHAFT V2 FITS ALL MODELS
- DRIVE SEAL**
- 81037001 STD
- 81038001 I - SERIES
- 8031581 SCREW
- 8080461 WASHER

81155001 BOLT

81095001 DRIVE ALIGNMENT PIN 2012+

HOBIE MIRAGEDRIVE "V2" / "GT"

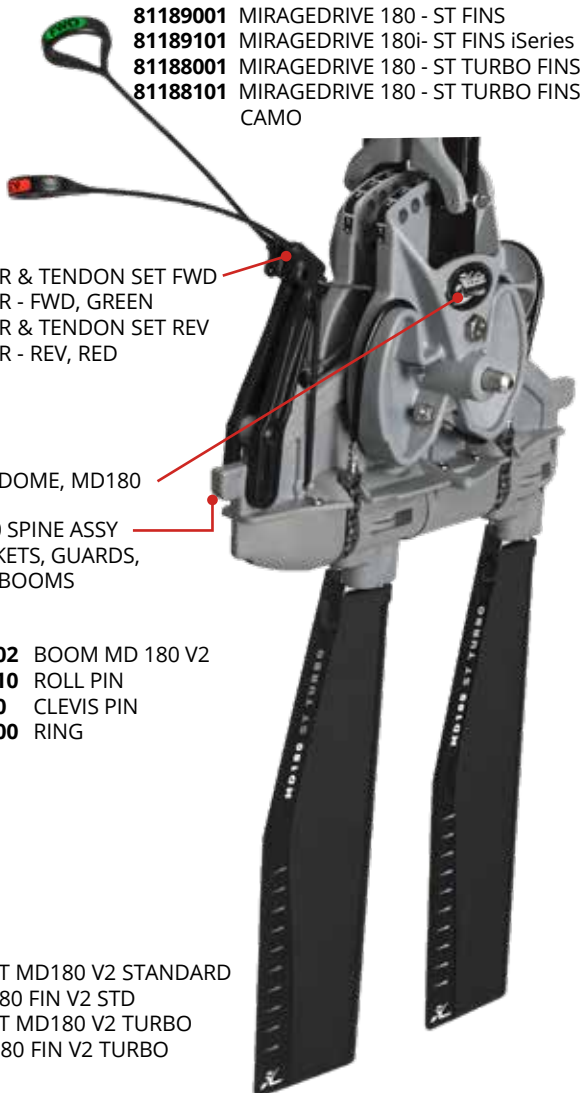
- 81123001 IDLER PULLEY GT W/ BEARINGS
- 81156201 IDLER BEARINGS (12)
- 81203001 IDLER CABLE V2 (17.2")
- 8050111 NUT



53170020 SET SCREW

81110001 PULLEY SHAFT

HOBIE MIRAGEDRIVE 180



- 81189001 MIRAGEDRIVE 180 - ST FINS
- 81189101 MIRAGEDRIVE 180i- ST FINS iSeries
- 81188001 MIRAGEDRIVE 180 - ST TURBO FINS
- 81188101 MIRAGEDRIVE 180 - ST TURBO FINS CAMO

- 81486021 SHIFTER & TENDON SET FWD
- 81000801 STICKER - FWD, GREEN
- 81491021 SHIFTER & TENDON SET REV
- 81000901 STICKER - REV, RED
- 8031190 SCREW

72545001 DECAL DOME, MD180

81527002 MD 180 SPINE ASSY INCLUDES SPROCKETS, GUARDS, SHIFTERS AND V2 BOOMS

- 81503002 BOOM MD 180 V2
- 96610010 ROLL PIN
- 8020030 CLEVIS PIN
- 81503100 RING

- 81528002 MAST MD180 V2 STANDARD
- 81500002 MD180 FIN V2 STD
- 81529002 MAST MD180 V2 TURBO
- 81501002 MD180 FIN V2 TURBO

TECH TIP!

MAINTENANCE AND TUNING - Maintenance and tuning information for MirageDrives is available on the Hobie Cat website support area. Click the kayak model name then see Care and Maintenance.

Direct link to the support pages for kayaks is here:
<http://www.hobie.com/support/>

HOBIE MIRAGEDRIVE —OLDER—

Original drive with aluminum spine, stainless sprocket / mast connection is cotter key. Limited parts available.




- 81130001 SPROCKET (STAINLESS)
- 81340001 SPROCKET BUSHING (SS SPKT)
- 8060111 COTTER KEY (MAST / SS SPKT)
- 8020061 CLEVIS PIN
- 10860001 LOCK RING
- 81211001 IDLER CABLE 14 3/4" (SOLID PULLEY)
- 81150001 DRUM BUSHING (ALUM DRUM)
- 81105001 CRANK ARM RIGHT, THREADED



MIRAGEDRIVE SPARE PARTS KITS

Spare parts kits include a fin, mast, sprocket, chain and appropriate parts for the drive version. Older drives have sprockets and masts that use a set screw connection. V2 drives use threaded sprockets and masts. All in a handy zippered pouch. Don't waste a day on the water when your MirageDrive could be easily repaired. Available for the standard fin drive or a drive with the ST Turbo fins. Standard kit shown.

MIRAGEDRIVE GT (THREADED MAST)

- 80010401 GT ST (Bearing Sprocket)
- 80013401 GT TURBO (Bearing Sprocket)

-  **71301001** HATCH SEAL "TRIM-LOC"
(TOP MOLDED) 5' REQ
-  **71305001** HATCH SEAL LG BULB "TRIM-LOC"
(TOP MOLDED) OUTBACK 5'
-  **71302001** HULL FLANGE SEAL (PRE 2012 ADV)
"TRIM-LOC" (SIDE GLUED) 5' REQ

-  **72104001** HOOK
-  **80012001** PEDAL RETAINER BUNGEE w/ HOOK

-  **84560001** MAST RECEIVER COVER
- 8031151** SCREW
- 84550001** MAST RECEIVER
- 81450001** HOBIE CHEEK BLOCK

-  **71220001** METAL PAD EYE
- 8030071** SCREW

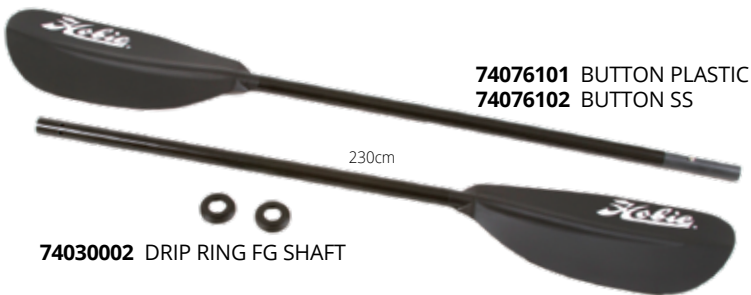
76050001 BOW/ STERN HANDLE

72542001 DOME STICKER 1.75"

SEE MIRAGEDRIVE PAGE
FOR DRIVE DETAILS

38120031 PUSH-IN CAP (White)
(Underside Of Hull)

- 74043** PADDLE 2-PIECE FIBER SHAFT 230 CM
- 74044** PADDLE 2-PIECE FIBER SHAFT 260 CM
(Only sold as matched set)



74030002 DRIP RING FG SHAFT

- 74076101** BUTTON PLASTIC
- 74076102** BUTTON SS



- 10730000** CLEAT
- 8030111** SCREW



- 72103001** SHOCKCORD END
- 8031130** SCREW

- 74010001** REPLACEMENT BLADE RIGHT
- 74011001** REPLACEMENT BLADE LEFT

- 74049001** PADDLE "T" HANDLE
- 74048** PADDLE "T" HANDLE =>2019



81535001 MIRAGE CASSETTE PLUG



78560001 MESH STOWAGE POCKET W/FRAME
8031501 SCREW



78561001 HOOKLESS STOWAGE POCKET
78565001 HOOKLESS POCKET W/FRAME
8031501 SCREW



8031570 SCREW / PADDLE KEEPER BUNGEE
79538201 WEB PULL TAB



81611201 (R)

81611101 CLICK AND GO ASSY (L)
81611201 CLICK AND GO ASSY (R)

8030791 SCREW
 (REQUIRES 3/16" allen "BALL-END" wrench)

81602101 SPRING CLICK AND GO LEFT
81602201 SPRING CLICK AND GO RIGHT



2008 AND OLDER
81410001 CAM LOCK KNOB
 BOLTS VARY BY MODEL

RUDDER - UP / DOWN

- 8004531** LINE (BLK)
- 81450001** HOBIE CHEEK BLOCK
- 8031065** 10-32 x 7/8 SCREW
- 8031069** 10-32 X 1-1/4 SCREW (AI)
- 8050211** NUT



- 81408101** HANDLE
- 81406101** HANDLE CAP - UP
- 81407101** HANDLE - DOWN



- 81408001** OLDER HANDLE
- 81407001** OLDER DECAL - DOWN



10730031 "PORT" SHOWN

- 10730021** CLEAT STBD
- 10730031** CLEAT PORT
- 8031541** SCREW

OLDER UP / DOWN



- 81392001** TWIST AND STOW CONTROL ARM UP/DOWN
- 81380001** OLDER - CONTROL ARM UP/DOWN
- 81375001** SPRING
- 8080691** NYLON WASHER
- 81035011** BOLTED HANDLE AND CONTROL ARM KIT



- 81035001** UP / DOWN HANDLE W/ SET-SCREW

RUDDER - STEERING

STEERING CRANKS

- 81014001** SPORT/REV 11
- 81016001** REV 13
- 81017001** OUTFIT / OB / OASIS
- 88991281** AI 2011+/TI
- 810175** 2015+ OASIS
- 88991402** 2015+ AI



CRANKS MAY REQUIRE SIMPLE BEND MODIFICATION FOR USE. MODELS VARY.

STEERING

- 81013001** STEERING HANDLE
- 8030126** SCREW
- 88991152** STICKER
- 81385001** WASHER
- 88991235** PIN
- H071** SPRING



88991355 KNOB ASSY
 (Handle not included)

OLDER STEERING



- 81015001** STEERING HANDLE W/ SET-SCREW



- 81372001** CRANK OLDER AI-OUTFIT
- H071** SPRING
- 8080691** NYLON WASHER

OLDER MIRAGE SERIES SEAT

2015 MODEL SEATS SHOWN ON PAGE 66

81269001 MIRAGE BACKREST - TWIST LOCK

81268001 MIRAGE BACKREST - EXPAND PEG

81259001 SEAT STRAP w/ HOOK



71190001 WEBBING LIFT HANDLE (PLASTIC END)
71190000 WEBBING LIFT HANDLE (WEB WITH HOLE)
8032011 SCREW
8080571 WASHER



76055001 MIDSHIP HANDLE
8032011 SCREW



88991061 MIDSHIP HANDLE
8032011 SCREW



71190031 HANDLE - SIDE CARRY KIT. Designed for compass but can be used anywhere you have internal hull access for hardware installation. Pair of handles and hardware.



81277001 HANDLE
81245001 ROLL PIN
81276001 TWIST-LOC

81276201 TWIST-LOC SEAT KIT (PAIR)
(Fit Older Seat Into Twist Loc Hull)

81275001 TWIST-LOC RECEIVER* (IN HULL)
* REPLACEMENT PART ONLY - NOT RECOMMENDED AS AN UPGRADE



OLDER SEAT PEGS



81265101 SEATBACK ADJUSTABLE PLUG KIT (PR)



81265001 SEATBACK PLUG
8031131 SCREW
8080541 WASHER

PADDLE SERIES SEAT



72402001 SEATBACK / PADDLE MODELS 2010
72409001 SEAT STRAP W/HOOK



10092030 PLUG
(Seat area of Adventure, Kona, Outfitter, Revolution)



72009001 Scupper plug
(Pursuit/ Maui/ Lanai)



72010 Scupper plug
(Odyssey)

LOWER SPEED DRAIN ASSEMBLY
FAIRING, O-RING, SHOCK CORD
71114001 OUTFITTER-FRT
71114002 SPORT-OASIS-TI
71114003 REVO 11 FRONT
71114004 REVO 13 FRONT
71114005 REVO 16
71114006 OASIS FRONT

71113001 DRAIN PLUG
8004531 BLK LINE (2')
71122001 CLEAT - SCREW IN
81408101 HANDLE
81401401 HANDLE CAP "DRAIN"
8030232 SCREW



41220001 EYELET POST
8031131 SCREW
8011231 RIVET



53180011 3/8" HOG RING
21180000 1/2" HOG RING



78520001 EYELET HOLD DOWN
8032121 SCREW



RS018BLK 1/8" SHOCKCORD
RS316BLK 3/16" SHOCKCORD
RS014BLK 1/4" SHOCKCORD
79538201 WEB PULL TAB



71110001 PADEYE
8030031 SCREW
8012001 RIVET



71120001 LASHING HOOK
8030031 SCREW



78510001 BUNGEE HOOK
8031961 SCREW



2101 SHOCKCORD FASTENER, 1/4"



HATCHES



71701011 HATCH 6" TWIST AND SEAL
71701001 HATCH 6" TWIST AND SEAL RETRO KIT
71321001 FLANGE GASKET
71701021 LID O-RING
8031131 SCREW



71702011 HATCH 8" TWIST AND SEAL
71702001 HATCH 8" TWIST AND SEAL RETRO KIT
71331001 FLANGE GASKET
71702021 LID O-RING
8031131 SCREW



71230001 ROD HOLDER COVER
8031131 SCREW



72012001 SCUPPER PLUG
 (QUEST / KONA / OUTBACK)

💡 TECH TIP!

DECK FASTENERS - Customize your boat with the fasteners of your choice... where you want them. The Hobie screw-in fittings can be easily removed and replaced. Add an extra eye where we placed a hook, a cleat hook where a shockcord end is placed... You choose what works best for you. Use tool #71115101

SCREW-IN FITTINGS



71116001 PADEYE
71125001 PADEYE XL
71117001 CLEAT
71115001 SHOCKCORD END
71124001 PLUG SOLID
71115101 TOOL SCREW IN FITTINGS

! TECH TIP!

MAINTENANCE AND TUNING - Maintenance and tuning information for Twist and Stow rudder systems is available on the Hobie Cat website support area.
<http://www.HOBIE.COM/support/history/>

Direct link to the support pages for kayaks is here:
<http://www.HOBIE.COM/support/products/kayaks/>

- 10091000 DRAIN PLUG W/ O-RING
- 10092025 O-RING
- 79050211 DRAIN PLUG W/ O-RING
- 79050212 O-Ring



81394001 RUDDER PIN

81394021 RUDDER PIN 2011 CENTERLINE STYLE REQUIRES MODIFIED HOUSING

81391011 GUDGEON
 8030214 SCREW (2)

71280001 KEEL GUARD LANAI, KONA, QUEST, ODYSSEY
 8030231 SCREW (2)

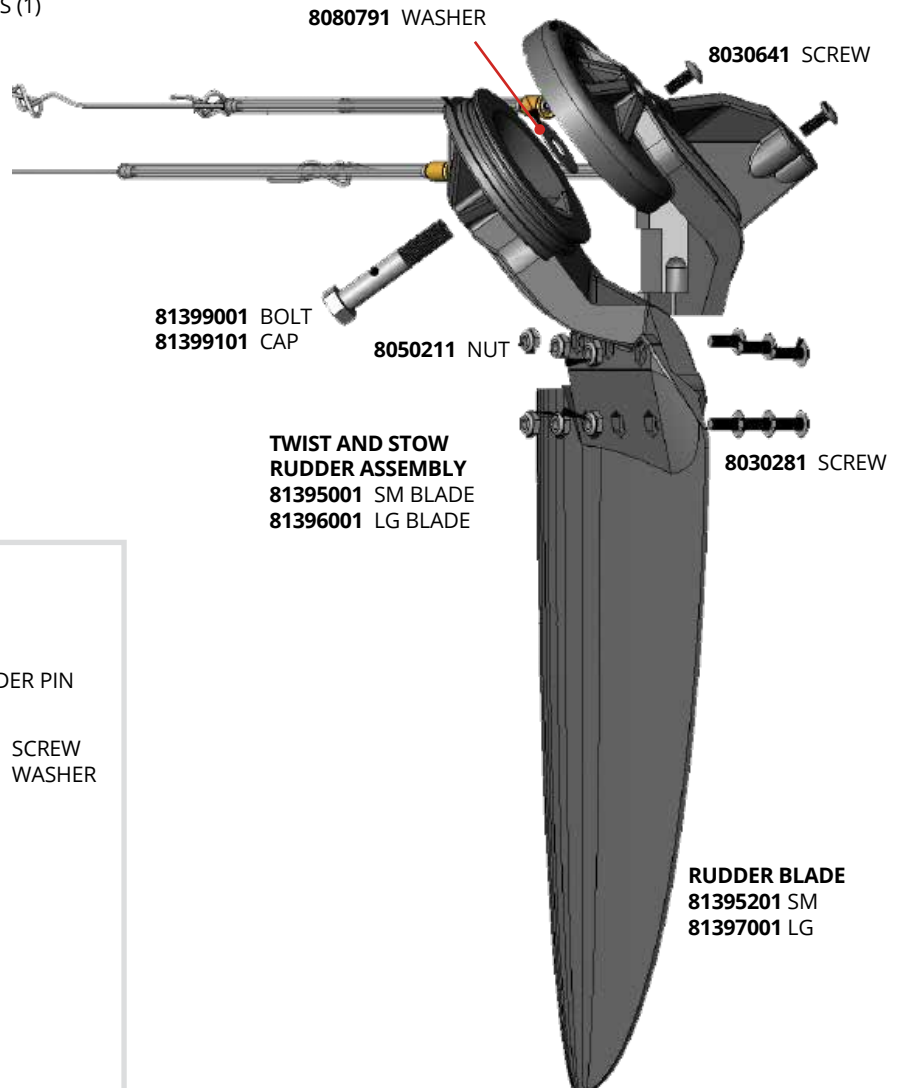
LINE AND TUBE ASSEMBLY

- 80025001 LINE CONTROL ASSY. LINE IN TUBE WITH END CAPS (1)
- 80020001 UNIVERSAL LINE REPLACEMENT KIT (SET OF 4 AND ADDITIONAL LINE)



- 81023001 SPECTRA CONTROL LINE
- 8063001 SWEDGE
- 81400001 TUBING
- 81405001 TUBE HOLDER
- 81405101 END CAP
- 81403 "O" RING

TWIST AND STOW RUDDER



8080791 WASHER

8030641 SCREW

81399001 BOLT
 81399101 CAP

8050211 NUT

TWIST AND STOW RUDDER ASSEMBLY
 81395001 SM BLADE
 81396001 LG BLADE

8030281 SCREW

RUDDER BLADE
 81395201 SM
 81397001 LG

EARLY RUDDER PARTS



NYLON RUDDER PIN

- 81361001 CLASSIC
- 81362001 OLDER OUTBACK
- 81362001 OLDER SPORT
- 81362001 OLDER TANDEM
- 20860000 LOCK RING

81360001 S.S. RUDDER PIN

8030171 SCREW
 8080541 WASHER

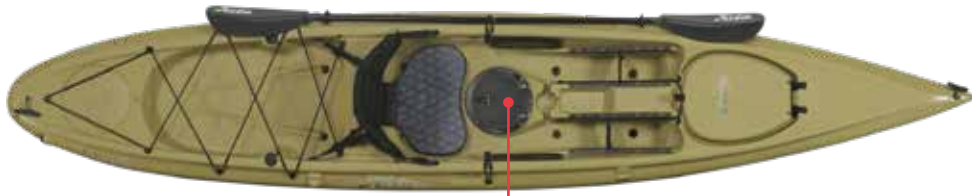
81350001 RUDDER MOUNT

81390001 RUDDER BLADE

QUEST

QUEST TWIST AND STOW RUDDER KIT

78501 QUEST 13
78502 QUEST 11



37380001 CLAM CLEAT



61070000 CLEAT
8031131 SCREW

8" HATCH

78540001 TRACK / FOOT BRACE
78535001 FOOT BRACE / LEFT
78536001 FOOT BRACE / RIGHT

MIRAGE CLASSIC



MIRAGE CLASSIC & PURSUIT

71301001 LOC SEAL, 6.5FT

91281000 DRAIN SCREW

HOBIE MIRAGE i-SERIES

79050214 SCUPPER PLUG
79052007 SEATBACK / I-SERIES

79052017 VALVE ASSY

81394001 RUDDER PIN
81395201 SMALL RUDDER BLADE
81395001 RUDDER ASSY. W/ SM. BLADE



79052019 PADDLE HOLDER 74077001 PADDLE 4 PC ALUMINUM SHAFT
79050061 I-SERIES CASSETTE PLUG

79050021 CLICK AND GO SPRING OLDER
79050011 CLICK AND GO LEVER OLDER
98100013 CAM LEVER NEWER
98100009 SHOULDER BOLT
98100016 CAM LEVER SPRING STBD
98100017 CAM LEVER SPRING PORT

71702011 HATCH 8" TWIST AND SEAL
71331001 FLANGE GASKET
71702021 LID O-RING
8031130 SCREW

76050001 BOW / STERN HANDLE

79050211 DRAIN PLUG W/ O-RING

80012001 PEDAL RETAINER BUNGEE W/ HOOK

87400021 STEERING HANDLE UPGRADE KIT (CT)



72023042



79052001



79052015 and 16



79052009

72023042 RAM BOND-A-BASE

For attachment of 1" Ball accessories to Hobie Mirage inflatable kayaks. Includes fasteners and glue.

79052006 i - HARDWARE ACCESSORY KIT

Includes padeyes, spare cleats and glue. Customize your Hobie inflatable.

79052001 i - CUP HOLDER KIT

Includes 2 flexible can / cup holders and glue.

84507703 i - CUP HOLDER VANTAGE SEAT

80045101 i - KAYAK CART "PLUG-IN"

79052015 i - TRI RING KIT / SAGE

79052016 i - TRI RING KIT / SUNDANCE

Includes 2 "Tri" rings mounted on round patches ready for installation. Customize your Hobie inflatable.

79052009 i - HULL REPAIR KIT

Includes 2 colors of repair vinyl and glue, valve tool and instructions. Repair or customize a Hobie Mirage Inflatable kayak.

79052005 i - ELECTRIC INFLATION PUMP

Electric pump connects to car 12v outlet. Quickly and easily fill your Hobie inflatable. This is a high volume / low pressure pump. Use the standard pump to bring chambers to full pressure.

79052003 i - STANDARD INFLATION PUMP

Standard hand pump for Hobie inflatable.

79052004 PUMP W/GUAGE

79052010 i - 12 TRAVEL BAG

79052011 i - 14 TRAVEL BAG

79052012 i - 9 TRAVEL BAG

SEE PREVIOUS PAGES FOR THE PARTS
IN COMMON WITH MIRAGE KAYAKS



79510201 MAST / SAIL BAG -2014
79510221 MAST / SAIL BAG 2015+

AMA 2007-2014

99304101 AMA NEW RED
99305001 AMA DUNE

AMA 2015+

99304501 AMA HIBISCUS
99305501 AMA DUNE

V2 UPDATES

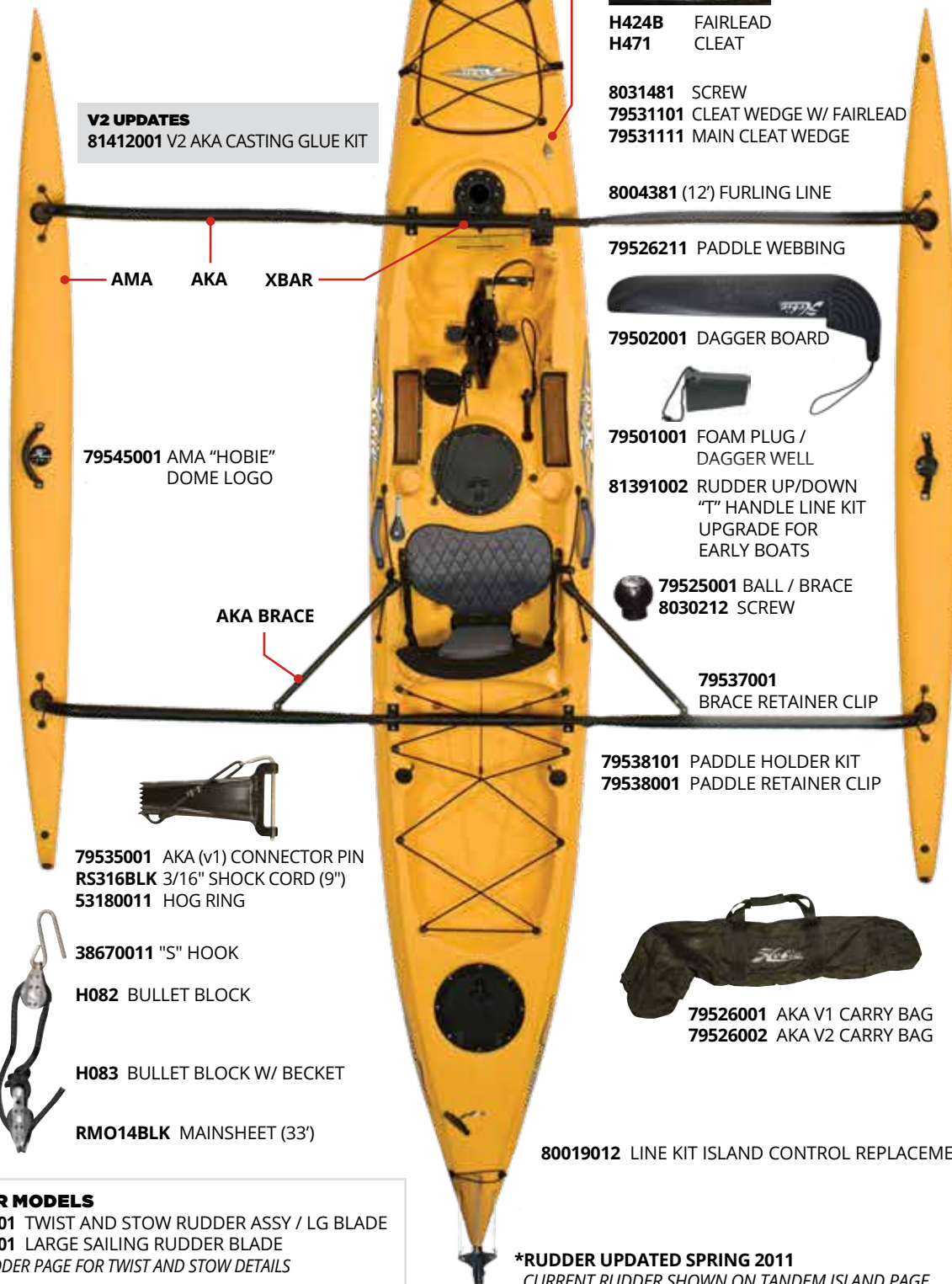
81412001 V2 AKA CASTING GLUE KIT



79520301 AKA END CAP



79520201 AKA COLLAR
8010181 RIVET



H233 CHEEK BLOCK
8030151 SCREW
8080500 WASHER
8050211 NYLOCK NUT



H424B FAIRLEAD
H471 CLEAT

8031481 SCREW
79531101 CLEAT WEDGE W/ FAIRLEAD
79531111 MAIN CLEAT WEDGE

8004381 (12') FURLING LINE

79526211 PADDLE WEBBING



79502001 DAGGER BOARD

79501001 FOAM PLUG /
DAGGER WELL

81391002 RUDDER UP/DOWN
"T" HANDLE LINE KIT
UPGRADE FOR
EARLY BOATS

79525001 BALL / BRACE
8030212 SCREW

79537001
BRACE RETAINER CLIP

79538101 PADDLE HOLDER KIT
79538001 PADDLE RETAINER CLIP



79526001 AKA V1 CARRY BAG
79526002 AKA V2 CARRY BAG

80019012 LINE KIT ISLAND CONTROL REPLACEMENT

AKA BRACE

79545001 AMA "HOBIE"
DOME LOGO



79535001 AKA (v1) CONNECTOR PIN
RS316BLK 3/16" SHOCK CORD (9")
53180011 HOG RING

38670011 "S" HOOK

H082 BULLET BLOCK

H083 BULLET BLOCK W/ BECKET

RMO14BLK MAINSHEET (33')

OLDER MODELS

81396001 TWIST AND STOW RUDDER ASSY / LG BLADE
81397001 LARGE SAILING RUDDER BLADE
SEE RUDDER PAGE FOR TWIST AND STOW DETAILS

*RUDDER UPDATED SPRING 2011
CURRENT RUDDER SHOWN ON TANDEM ISLAND PAGE

**V1 AKAS & CROSSBARS SHOWN
2011 MODEL YEAR+ = V2**

CROSSBAR / AKA / AKA BRACE

AI V1 2007-2010

8030781 SOC CAP SCREW

79523101 BRACE ASSY AKA AI V1 -22"

AI V2 2011-2014

79512601 XBAR AI V2 - FWD 2011-2014

79512701 XBAR AI V2 - REAR 2011-2014

79512301 AKA AI V2 - LT FWD 2011-2014

79512201 AKA AI V2 - RT FWD 2011-2014

79512401 AKA AI V2 - LT REAR 2011-2014

79512501 AKA AI V2 - RT REAR 2011-2014

79523201 BRACE ASSY AKA AI V2 -23"

AI V2 2015-

79104201 XBAR AI V2 - FWD 2015-

79104101 XBAR AI V2 - REAR 2015-

79503901 AKA AI V2 - LT FWD 2015-

79503801 AKA AI V2 - RT FWD 2015-

79503701 AKA AI V2 - LT REAR 2015-

79503601 AKA AI V2 - RT REAR 2015-

79523301 BRACE ASSY AKA AI V2 2015-21"

AI V2 CROSSBAR PARTS

79510721 V2 XBAR CLAMP TOP

79510731 V2 XBAR CLAMP BOTTOM

8032088 SCREW

8080561 WASHER

79532201 EDGE GUARD

8030335 SCREW (MAST RECEIVER ATTACH)

8050111 NUT (MAST RECEIVER ATTACH)

8090900 CAPPLUG

88991311 MAST CAP
79511021 MAST CAP (OLDER SWIVEL)

79510011 '08-14 MAST ISLAND (2 PC)
79510015 '15+ MAST ISLAND (2 PC)

2007-2014 SAILS

79516001 SAIL PAPAYA/TURQ/WHT - BREEZE

79515001 SAIL RED/GRAY/WHT - SMOKE

79546001 SAIL ADV WHT/GRAY/TURQ - AZUL

2015- SAILS

795465 SAIL ADV WHT/GRAY/TURQ - AZUL

795475 SAIL RED/GRAY/WHT - SMOKE

795485 SAIL PAPAYA/TURQ/WHT - BREEZE

2017-2018 SAILS

79547701 SAIL ADV V2 ARUBA

79546701 SAIL ADV ISL V2 BAHAMA



91011001 BATTEN CAP 3/16"
88999519 BATTEN CAP 3/8"
RH112WHT BATTEN TIE LINE (REQ 18" PER)

2007-2014 (3/16")

91051011 BATTEN 9' 2"

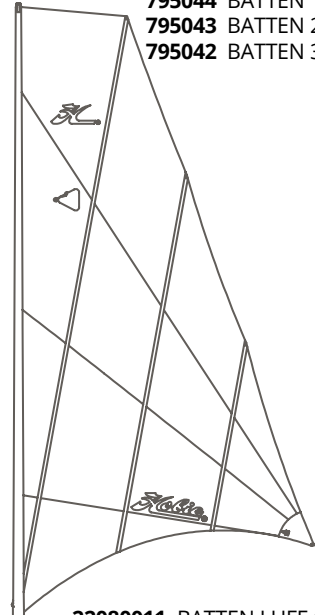
91041011 BATTEN 7' 8.5"

2015- (1&2 3/16" 3 3/8")

795044 BATTEN 1 - 14'

795043 BATTEN 2 - 9' 7 1/4"

795042 BATTEN 3 - 4' 10 5/8"



22080011 BATTEN LUFF CAP SET



79533001 MAST BEARING PLATE (REQ 2)
8031231 SCREW
8050801 NUT
90610111 BEARINGS (EA / REQ 24)
90610112 BEARINGS SET OF 12

79532001 V1 MAST RETAINER SPRING

79514101 MAST RECEIVER
8030261 MOUNTING SCREW (6)
8080211 WASHER (6)
71320001 GASKET
79513001 BACKUP RING
79551001 LEVER / LATCH
8031151 SCREW
79555001 SPRING



79552001 MAST STEP PIN PLATE
8032011 MAST STEP PLATE SCREW

79512001 FURLER DRUM AI -2014
79512002 FURLER DRUM AI 2015+
79511101 MAST BASE / HOLE TYPE



'07 BASE

COLLAR KIT



79511001 MAST BASE / '07 PIN TYPE
79510101 MAST BASE COLLAR KIT

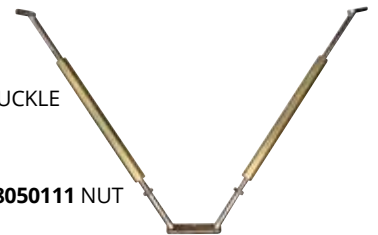
BRACE ASSY PART # SEE CHART ABOVE



79524001 CAP / AKA BRACE LOCK
79523001 SOCKET / AKA BRACE LOCK
81242001 SPRING / AKA BRACE LOCK
8030781 SOC CAP SCREW
8032081 SHEAR BOLT (DRILLED)
8052081 NUT
20860000 RING
88991221 BRACE CONNECTOR
8020381 CLEVIS PIN
20860000 SPLIT RING
37661091 LANYARD

79517001 V-FRAME STRUT

79519001 V-FRAME TURNBUCKLE



8050111 NUT

79518001 V-FRAME BASE
88991215 SET SCREW 1/4-20
88991216 SET SCREW 5/16-18

RUDDER PARTS

88991094 GUDGEON (3 HOLE)

CURRENT

8030214 1/4-20 SCREW (2)
8030355 5/16-24 SCREW (1) LOWER

OLDER (2 HOLE GUDGEON)

8030214 1/4-20 SCREW (1) (OR 2*)
8030346 1/4-20 STUD-NUT HEAD PH17-4 (1) LOWER
*OLDEST, LOWER LATER REPLACED BY
8030346 STUD (STRONGER FOR 2 HOLE)

88991101 RUDDER PIN
20860000 RING
88991092 RUDDER HOUSING
88991093 PULLEY
88991091 BLADE
88991099 RUDDER UP STRAP ASSY
82420001 RUDDER COVER AI / TI

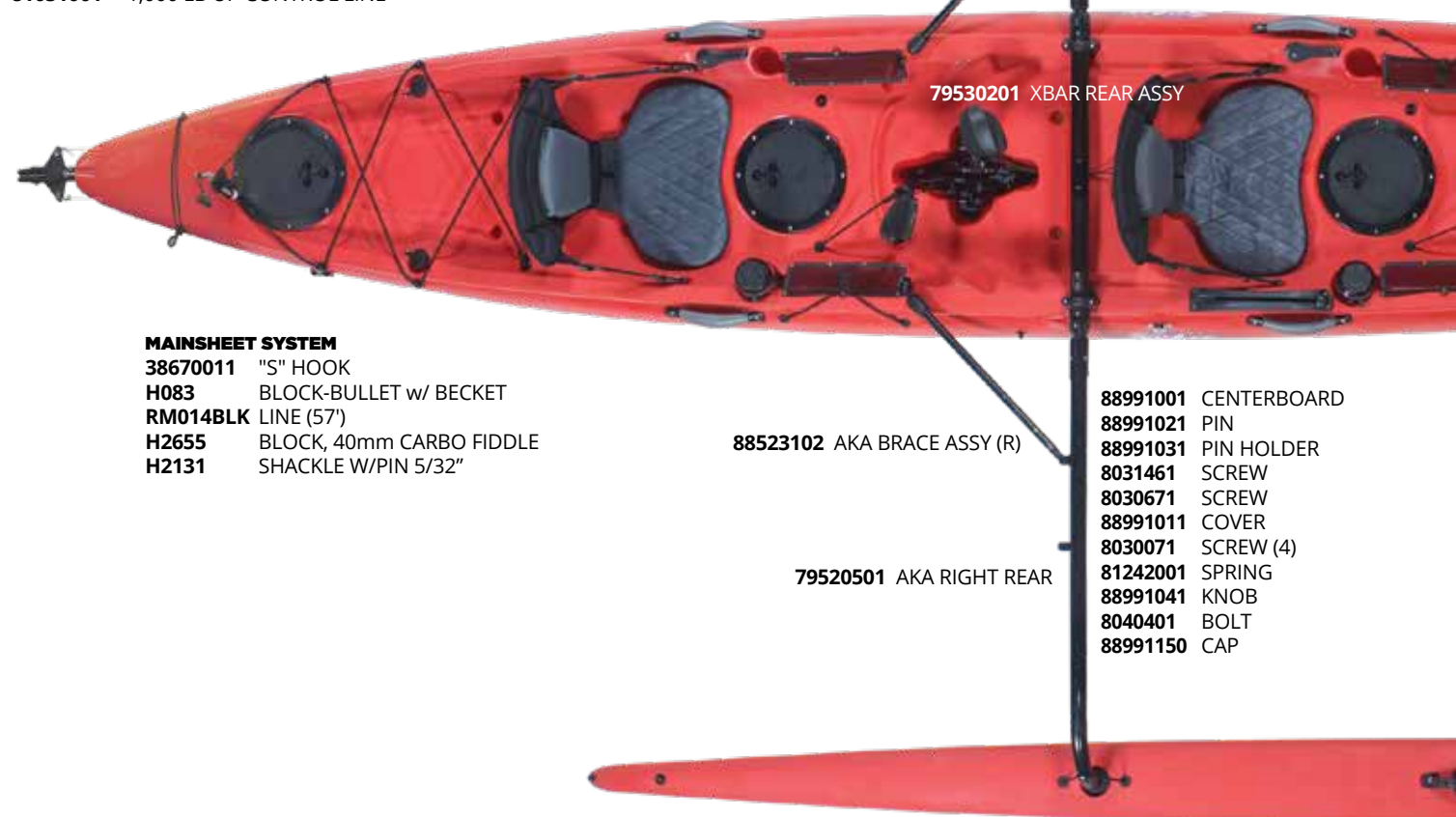


2015-LATER MODEL INFORMATION ONLINE - SUPPORT

88991303 AMA PAPAYA
88991314 AMA NEW RED
88991305 AMA DUNE
AMAS AVAILABLE WITH 2015+
BOW SHAPE ONLY

RUDDER REPLACEMENT SPRING 2011 (88991098)
CONTACT DEALER FOR REPLACEMENT RUDDER DETAILS
IF YOU ARE USING TWIST AND STOW SYSTEM

81051001 1,000 LB UP CONTROL LINE



79520401 AKA LEFT REAR

88523101 AKA BRACE ASSY (L)

79530201 XBAR REAR ASSY

88523102 AKA BRACE ASSY (R)

79520501 AKA RIGHT REAR

88991061 HULL LIFT HANDLE
8032011 SCREW

88991301 STEERING HANDLE

88991235 ROLL PIN

8030125 SCREW

88991151 STICKER

88991355 (2011) STEER KNOB ASSY

MAINSHEET SYSTEM

38670011 "S" HOOK
H083 BLOCK-BULLET w/ BECKET
RM014BLK LINE (57')
H2655 BLOCK, 40mm CARBO FIDDLE
H2131 SHACKLE W/PIN 5/32"

88991001 CENTERBOARD

88991021 PIN

88991031 PIN HOLDER

8031461 SCREW

8030671 SCREW

88991011 COVER

8030071 SCREW (4)

81242001 SPRING

88991041 KNOB

8040401 BOLT

88991150 CAP



79510202 MAST / SAIL BAG



79520311 AKA FWD (L/R)

- 79520604 SPRING HOOK AKA LOCK KIT (4)
- 79520602 AKA SPRING HOOK
- 79522202 AKA LOCK BEARING
- 8031401 SCREW

- 79510721 XBAR CLAMP TOP
- 79510731 XBAR CLAMP BOTTOM
- 8032088 SCREW
- 8080561 WASHER

- 79531201 XBAR FWD ASSY
- 79532201 EDGE GUARD
- 8030034 SCREW
- 88991271 SPACER BLOCK
- 8030451 SCREW (CUP ATTACH)
- 8050111 NUT (CUP ATTACH)

79520311 AKA FWD (L/R)

71125501
AKA DOUBLE SHOCK CORD ASSY

88991311 MAST CAP

88991121 MAST TANDEM ISLAND (2 PC)

- 88995511 SAIL DUNE
- 88995512 SAIL SMOKE
- 88995513 SAIL BREEZE
- 88998507 SAIL BAHAMA
- 88998527 SAIL ARUBA

- 88998521 BATTEN #1 (3/8" 186" W/ CAP)
- 88999519 BATTEN CAP 3/8"
- 88998522 BATTEN #2 (3/16" 42 1/2" W/ CAP)
- 88998523 BATTEN #3 (3/16" 39 1/2" W/ CAP)
- 91011001 BATTEN CAP 3/16"



BATTEN LEECH CAP

RH112WHT BATTEN TIE LINE (REQ 18" PER)

22080011 BATTEN LUFF PROTECTOR CAP SET

88991071 FURLER DRUM TI



- 79533001 MAST BEARING PLATE (REQ 2)
- 8031231 SCREW
- 8050801 NUT
- 90610111 BEARINGS (EA / REQ 24)
- 90610112 BEARINGS SET OF 12

8004381 (12') FURLING LINE

79511101 MAST BASE

- 79514101 MAST RECEIVER
- 8030261 MOUNTING SCREW (6)
- 8080211 WASHER (6)
- 71320001 GASKET
- 79513001 BACKUP RING
- 79551001 LEVER / LATCH
- 8031151 SCREW
- 79555001 SPRING



- 79552001 MAST STEP PIN PLATE
- 8032011 MAST STEP PLATE SCREW

88991191 V-FRAME STRUT



88991211
V-FRAME
TURNBUCKLE

8050111 NUT

88991201 V-FRAME BASE

88991215 SET SCREW

ROD HOLDER STORAGE

- 84500911 3 ROD HOLDER ASSY LEFT
- 84500921 3 ROD HOLDER ASSY RIGHT

- 84502001 MOUNTING BOARD, RT
- 84502101 MOUNTING BOARD, LT
- 8030341 SCREW
- 8032085 SCREW
- 8050111 NUT

- 84502401 FLOOR MAT RT
- 84502501 FLOOR MAT LT-BLK



81536001 CASSETTE WELL PLUG - PA/OUTBACK

74090001 PADDLE 260 CM

- 84500601 COVER PLT, RDR SYSTEM
- 8030151 SCREW (4)
- 84500801 TUBE RESTRICTOR (2)



- 84500501 STEERING DRUM (PIN TYPE OLDER)
- 8060141 COTTER KEY (REPL ROLL PIN)

- 84500502 STEERING DRUM (SCREW TYPE)
- 8030126 SCREW
- 88991235 PIN
- 8030231 SCREW (LINE ADJUST)
- 8050201 NUT (LINE ADJUST)

- 84500402 RDR MOUNT, UNDER HULL (SCREW TYPE)

- 84500201 RUDDER HOUSING, UNDER HULL

- 84502301 SISTER SCREW, PRO RDR ASSY
- 8031490 SCREW SCREW 8-32 X 1/2 FHMS-P

- 84504001 TORSION SPRING, RUDDER

- 84500101 RUDDER BLADE, PRO A
- 84612001 RUDDER BLADE, LARGE PRO A

- 84504501 HANDLE - BOW
- 8030361 SCREW SOC CAP
- 79545001 "HOBIE" DOME LOGO

- 71305001 HATCH SEAL
LARGE BULB (7.25')



84501901 HATCH LINER FWD - PRO ANGLER

- 72020311 PLANO BOX - SMALL YELLOW
- 72020321 PLANO BOX - MEDIUM BLUE
- 72020331 PLANO BOX - LARGE RED



- 84505001 STORAGE BUCKET ASSY
(INCLUDES COMPARTMENT WITH DIVIDERS)
- 84505101 STORAGE BUCKET COMPARTMENT
- 84505201 REPLACEMENT COMPARTMENT DIVIDERS
(SET OF 7)
- 71301001 TRIM LOC TOP MOLDED 3.5'

- 8004531 CONTROL LINE (9')
- 81408101 HANDLE
- 81406101 INSERT - UP
- 84502201 CUTTING BRD, CNTR, BLACK
- 8030071 SCREW
- 8050111 NUT
- 84502211 BUNGEE AND FITTING ASSY

- 84500001 SEAT ASSEMBLY - PRO ANGLER
- 84500011 LUMBAR SUPPORT PAD
- 84502901 KNOB, SEAT FRAME FRONT
- 8031811 STUD (FWD)
- 8042151 BOLT SHOULDER (REAR)
- 84500021 SEAT STRAP ASSY (ONE SIDE)
- 8011231 RIVET
- 84500031 STAINLESS REPLACEMENT BUCKLE

- 84504101 UNIVERSAL SIDE HANDLE ASSY
- 84504401 HANDLE END FITTING
- 8031781 SCREW SOC CAP
- 84504301 DECAL, RULER

- 71996001 BOTTLE/CAN HOLDER
- 74035001 FOLDING PADDLE CLIP

- 71702011 HATCH 8" TWIST AND SEAL

- 84504201 TUBE, STERN HANDLE
- 84504401 HANDLE END FITTING
- 8031781 SCREW SOC CAP

- 72013001 SKID GUARD, PRO
- 8030641 SCREW
- 10091000 DRAIN PLUG

- 80019011 LINE KIT PRO ANGLER
CONTROL REPLACEMENT



- 84501211** 2 ROD HOLDER ASSY PA12 LT
- 84501221** 2 ROD HOLDER ASSY PA12 RT

- 84502001** MOUNTING BOARD RT
- 84502101** MOUNTING BOARD LT
- 84502011** MOUNT BOARD, 2015+, LT BLK
- 84502111** MOUNT BOARD, 2015+, RT BLK
- 84502121** DELUXE BOARD KIT 2018
- 8030341** MOUNTING BOARD SCREWS

- 86506601** FLOOR MAT PA12/14 LT
- 86506701** FLOOR MAT PA12/14 RT
- 810007** SEAT MAT PA12/14 CAMO
- 810006** FLOOR MAT PA12/14 CAMO RT
- 810005** FLOOR MAT PA12/14 CAMO LT

- | H-RAIL PARTS | |
|---------------------|---------------------------|
| 84615 | STEERING HANDLE MOUNT CAP |
| 84616 | MOUNT CAP |
| 84617 | TUBE MOUNT |
| 846143 | SIDE TUBE, H-RAIL PA12/14 |
| 84610 | TUBE, REAR HANDLE PA12/14 |
| 84611001 | TUBE, REAR HANDLE PA17 |
| 84504401 | HANDLE END FITTING |

- 88991301** STEERING HANDLE
- 86505401** SECONDARY STEERING HANDLE
- 88991235** ROLL PIN
- 8030125** SCREW
- 88991151** STICKER
- 84619001** STEERING RISER
- 8032211** SCREW, STEERING RISER
- 84506021** DUAL STEERING RISER KIT - PA
- 86505001** STEERING CRANK
- 86505101** STEERING CRANK SUPPORT
- 8031065** SCREWS
- 8050211** NUTS
- 81244001** STEERING SPRING
- 86505121** DUAL STEERING LINE ASSEMBLY
- 80019011** LINE REPLACEMENT KIT
- 84507881** BOA RUDDER TENSION REPL

- 84507601** CHAIR FOOT MOUNT
- CHAIR FOOT MOUNT SCREWS

- 84508001** VANTAGE KICKSTAND ASSEMBLY
- 8032241** KICKSTAND MOUNTING SCREW
- 84500821** KICKSTAND WEBBING ASSEMBLY
- 8030151** WEBBING SCREWS
- 72020216** GUARDIAN REPLACEMENT PARTS KIT
- 86505601** LOWRANCE READY COVER PLATE
- 8030501** COVER PLATE SCREWS (2017 8030232)
- 86506001** LOWRANCE ADAPTER
- 86506101** LOWRANCE STAR MOUNT ADAPTER
- 84505901** HUMMINBIRD ADAP KIT
- 86506201** TRANSDUCER SUPPORT CLIP
- 86509501** SCREW
- 8050211** NUT

- 86505611** THRU HULL PLUG
(INCLUDES PLUG, NUT AND O-RING)
- 86505701** RUBBER ADAPTER PLUGS

- 86505621** THRU HULL WIRING KIT
(INCLUDES 2 PLUG, ADAP TREE)



- 86505613** 3 WAY PLUG THRU HULL KIT
(NOT SHOWN)

- 84504501** HANDLE BOW
- 8030361** SCREW SOC CAP

- 79545001** "HOBIE" DOME LOGO

- 84507771** ANCHOR TROLLEY INSERT CAPS

- 41220001** EYELET POST
- 8010131** RIVET

- 84501201** HATCH LINER, PA12
- 71707004** PRO A HATCH LID SEAL KIT
- 71305001** HATCH SEAL LARGE BULB
PA12 - 5.16' / PA14 - 7.25'

- 71707001** RECTANGULAR HATCH TWIST AND SEAL
- 71707002** FLANGE GASKET
- 8032121** SCREWS (14)
- 71708001** TACKLE MANAGEMENT RACK
- 8004531** TACKLE MANAGEMENT LINE (14")
- 72020321** PLANO BOX - MEDIUM BLUE
- 72020331** PLANO BOX- LARGE RED
- 71709001** BUCKET, HOBIE RECTANG HATCH



- 81408101** HANDLE
- 81401101** CAP, RUDDER
- 81401001** CAP, SEAT
- 81401201** CAP, SKEG
- 81401401** CAP, DRAIN
- 8004531** CONTROL LINE (9')
- 84501541** CLEAT REPLACEMENT KIT

- 84507721** UNDER SEAT PAD
- 84501231** UNDER SEAT TACKLE BOX WEBBING ASSY
- 8030151** SCREWS

- 84504601** PA12 SIDE CARRY HANDLE
- 84504901** DECAL RULER PA12
- 71996001** BOTTLE/ CAN HOLDER



- 71119001** PADDLE CLIP PA12
- 71702011** HATCH 8" TWIST AND SEAL

- 72013001** SKID GUARD, PRO
- 8030641** SCREW
- 10091000** DRAIN PLUG

- 84504801** TUBE STERN HANDLE, BLUE GREY
- 84504401** HANDLE END FITTING
- 8031781** SCREW SOC CAP

84507501 VANTAGE ST (PA12 & 14)

84507501 VANTAGE SEAT

84507521 BACK FRAME ASSEMBLY

84507801 REPLACEMENT FABRIC KIT

84507581 BOA LINE ASSEMBLY

84507611 TRIANGLE RING

84507531 BOTTOM FRAME ASSEMBLY

84507541 ARMREST FRAME ASSEMBLY

84508201 PIVOT BOLT

80503701 ACORN NUT

84507761 INNER SPACER

84507791 OUTER SPACER

40590001 LOCKING KEY

RS316BLK BUNGEE 6" CL

84507861 FABRIC PROTECTOR COVER WITH PADEYE

84507851 FABRIC PROTECTOR COVER

8030671 SCREWS FOR FABRIC PROTECTOR

84507551 BACK CONTROL LINE

84507561 BOTTOM CONTROL LINE

84507711 ARM REST PAD PACK

84507571 CHAIR FEET

8010181 RIVETS



86507501 VANTAGE XT (PA17)

For Vantage XT support issues, parts diagrams, videos on function, see HOBIE.COM/support



84507402 COMPASS SEAT

84507825 VANTAGE CTW (2019 OUTBACK)

84507821 VANTAGE CT (2015 MIRAGE MODELS)

84507701 VANTAGE CT (ISERIES MODELS)

For Vantage CT support issues, parts diagrams, videos on function, see HOBIE.COM/support

865092 MESH SEAT BACK

865126 MESH SEAT BOTTOM

845081 BOA ADJUSTER

865140 SCREW

8032089 CTW SCREW

865102 WEB HANDLE

865118 GEAR ASSY FRONT UP/DOWN

777008 CTW GEAR ASSY FRONT UP/DOWN

84507822 VANTAGE CT SEAT CLIP UPGRADE

